

## 6W Constant Voltage-SS Series

SS-6-XX MB

■ Approve

**SELV** 

### ■ Features

- Class II, SELV, built-in
- Input Voltage 220-240VAC
- Protections: SCP/OLP/OVP
- Power Factor 0.8C
- Efficiency  $\geq 75\%$
- 5 years warranty

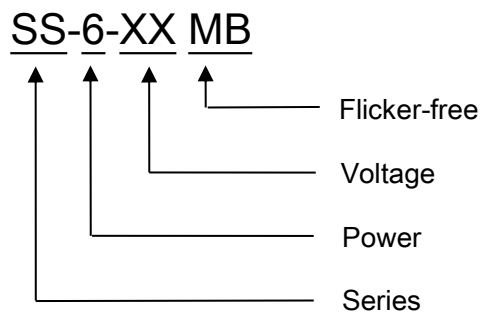
### ■ Applications

- Spot light
- COB light

### ■ Description

SS-6-XX MB is a 6W constant voltage LED driver that operates from 198-264Vac input with 12V or 24V output voltage. With its compact dimensions from 52 x 43.5 x 21.5 mm it is easy to integrate in spot light and COB light products. To ensure trouble-free operation, protection is provided against output short circuit and over Load.

### ■ Model code



## 6W Constant Voltage-SS Series

SS-6-XX MB

### ■ Specification

Input	Rated input voltage	220-240VAC	
	Range of input voltage	198-264VAC	
	Rated input voltage(DC)	198-254VDC	
	Range of input voltage(DC)	176-280VDC	
	Frequency(Hz)	0/50/60 Hz	
	Power Factor	0.8C@Full Load, 230VAC	
	Input Current max	0.08A MAX. @Full Load,198VAC	
	Start-up time	< 0.5S	
	Unload Power Consumption	≤0.5W	
	Inrush Current	10A Max	
	Leakage Current	< 0.7mA(240VAC)	
	Output	Constant Voltage	12VDC
Current Range		0-0.5A	0-0.25A
Rated power		6W Max.	
Voltage Accuracy		±4%@220-240VAC	
Voltage Regulation		±3%@Full Load, 220-240VAC	
Load Regulation		±2%@220-240VAC	
Hold-up Time		1s max. @ Full load	
Ripple& Noise *Note.2		≤±5%@Full Load,230VAC	
Output LF current ripple(<120Hz)		≤±5%@Full Load,230VAC	
Efficiency(Typ.)		≥75%	
Protection	Over Load Protection	105-150% Protection type: Auto Resume	
	Over Voltage Protection	> 12.6VDC	> 25.2VDC Protection type: Auto Resume
	Short circuit Protection	Protection type: Auto Resume	
	Over Temperature protection	NA	
Environment	Operating Temperature	-20°C...+45°C	
	tc	80°C	
	Storage Temperature	-20°C...+60°C	
	Life time	> 44,000h@ 45°C	
	Temperature coefficient	±0.03%/°C(0-45°C)	
	Humidity	20%-90%RH	
Others	Dimension	52X43.5X21.5(LXWXH)mm	
Safety & EMC	Safety standards	EN 61347-1; EN61347-2-13; EN62384	
	Withstand voltage	Input-Output : 3750V/5mA/1min	
	Isolation resistance	Input-Output : ≥4MΩ@500VDC	
	EMI	EN55015; EN61000-3-2 Class C; EN61000-3-3	
	EMS	EN 61547; EN 61000-4-2; EN 61000-4-5 —500V;	
Note	1.All parameters NOT specially mentioned are measured at 230VAC input , full load and 25°C of ambient temperature. 2.Ripple & Noise are measured at 20MHz of bandwidth by using a 300mm twisted pair-wire terminated with a 0.1uF & 47 uF parallel capacitor.		

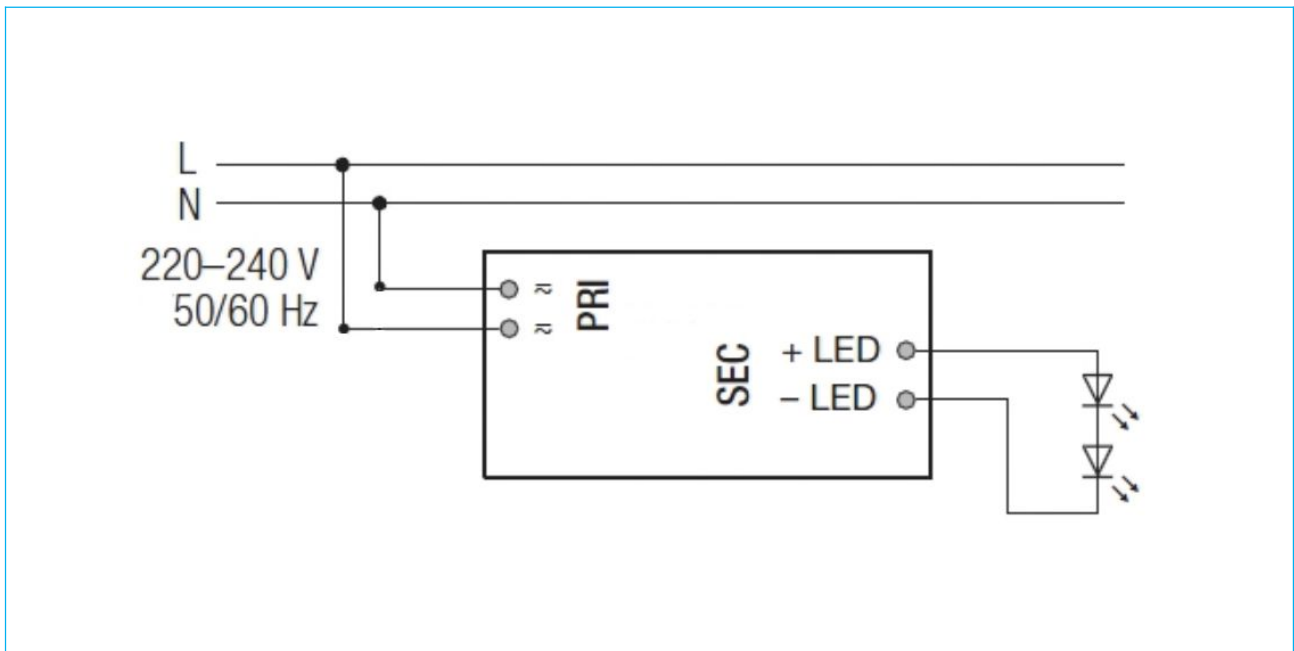
## 6W Constant Voltage-SS Series

SS-6-XX MB

### Model list

No.	Model number	Input			Output		
		Voltage (VAC)	Current (A)	Frequency (Hz)	Constant voltage (VDC)	Normal working current (A)	P <sub>rated</sub> (W)
1	SS-6-12 MB	220-240	0.08	50/60	12	0-0.5	6
2	SS-6-24 MB	220-240	0.08	50/60	24	0-0.25	6

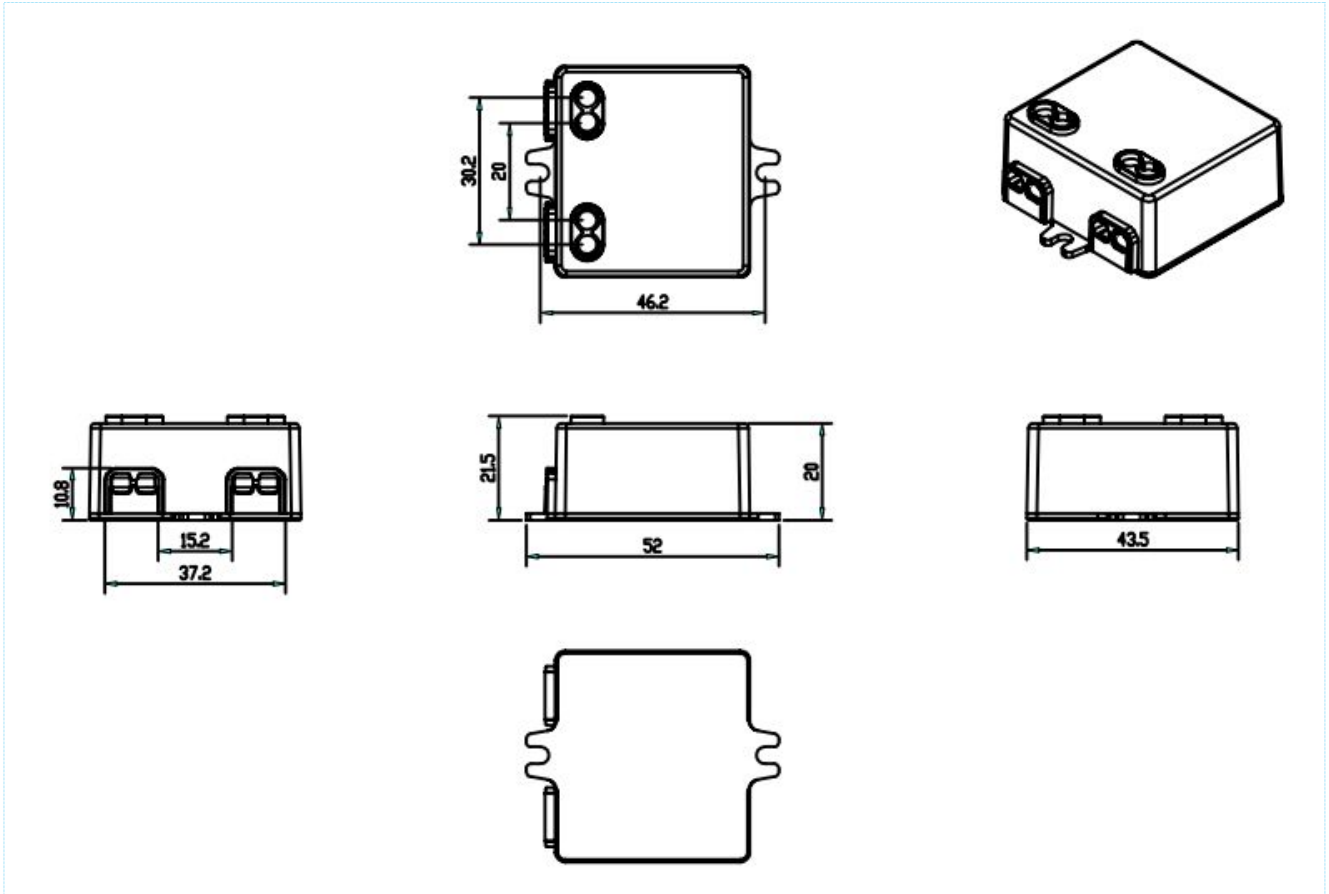
### Wiring diagram



## 6W Constant Voltage-SS Series

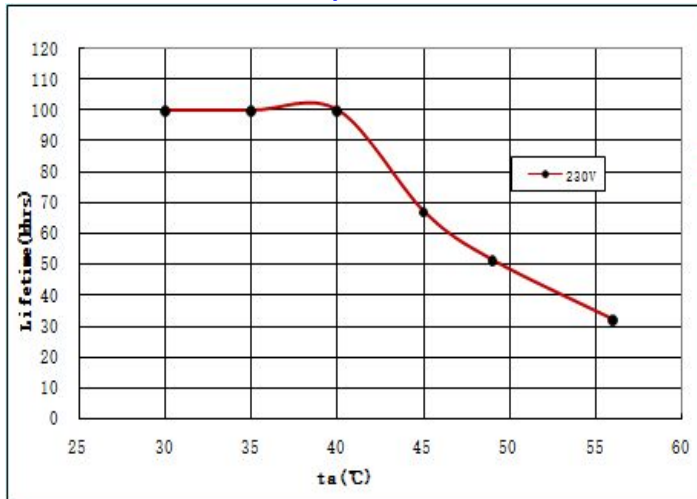
SS-6-XX MB

### ■ 2D diagram

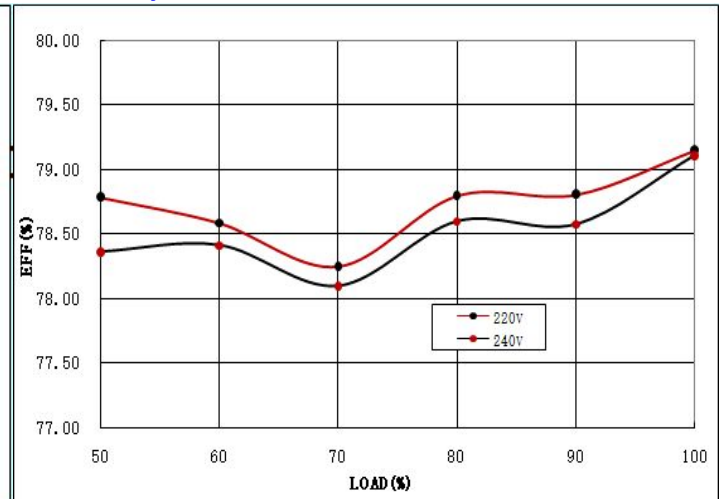


### ■ Curve for SS-6-12 MB

**Lifetime vs. Ambient Temperature Curve**



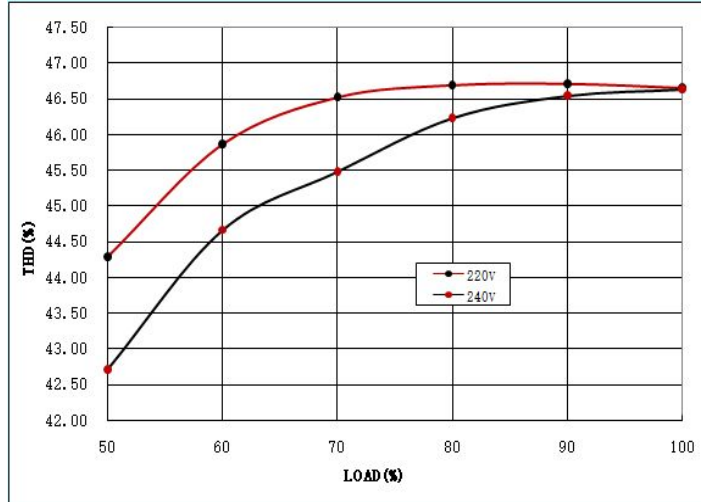
**Efficiency vs. Load**



## 6W Constant Voltage-SS Series

SS-6-XX MB

### THD vs. Load



### ■ Operating window

